



Empowered by
U-LINK

BARRIERS

Range of road barriers



Be ahead



U-LINK

The innovative technology that gives you more power

An absolute innovation, and Bft exclusive, with surprising new-generation performance: U-Link is a cross-platform that allows the creation of technological ecosystems, offering maximum control.

- **U-Control** A new Android App that, in just a few simple steps, shows the potential of U-SDK in the service and commercial sector.
- **U-Base 2** facilitates the management of a system interconnected via U-Link, allowing you to control the automation parameters.
- **U-SDK** the system integrators can make other brands of home automation systems dialogue with Bft products interconnected in a U-link network.

New power in *your* hands.



B-eba

A direct line with your operators.

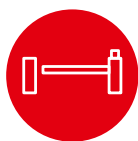
B-eba expansion cards allow the connection of external devices, such as PCs, smartphones and tablets, to a Bft operator or Clonix receiver, or the connection of several Bft products in a U-Link network. These accessories integrate with U-Link technology and Bluetooth, Z-Wave, Tcp/Ip protocols, as well as the RS485 serial connection. A device that fully translates what Bft intends as interconnectivity.



Clonix U-link

Allows the connection of old-generation products or non-Bft products to U-Link systems.

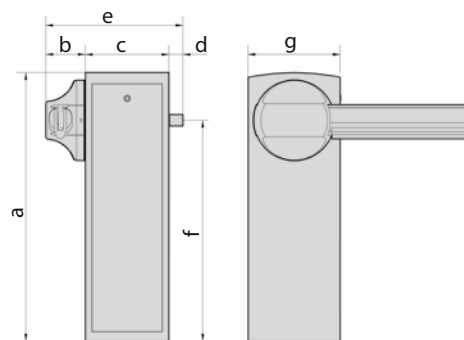
Old-generation Bft operators or a product belonging to other brands: can they be connected to U-link? Yes, thanks to the Clonix receivers. Accessories that know no limits.



MAXIMA ULTRA

Automatic barrier for very intensive/continuous use.

- Range of professional 230 Vac electromechanical barriers with three-phase induction motor with inverter for intensive use. Designed and developed to operate in a wide variety of conditions such as large car parks, busy motorway toll-gates, industrial installations. Possibility of setting the useful passage from electronic control unit. Mechanical movement with connecting rod-crank mechanism ensuring smooth movement of the boom, while managing slowdown in opening and closing. The same mechanism can ensure high anti-vandal protection for the gearmotor. Equipped with U-Link protocol, they allow integration in Parking Management or Building Management systems
- Available in versions with or without spring (SM) fitted inside



FEATURES

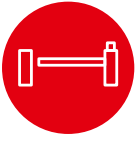
- Three-phase induction motor
- Control unit compatible with U-Link
- Anti-vandal protection with connecting rod-crank system

DIMENSIONS

MODEL	a	b	c	d	e	f	g
MAXIMA Ultra 35	1110	120	320	40	480	950	280
MAXIMA Ultra 68	1155	170	360	60	590	950	400

SPECIFICATIONS

	MAXIMA ULTRA 35	MAXIMA ULTRA 68
Useful passage	1.7 m to 5 m	4 m to 8 m
Frequency of use	20,000 (up to 3m) - 5,000 (up to 5m) Op/day	3000 Op/day
Opening or closing	0.7 - 3 sec	4.5 - 6 sec
Control unit	CSB Xtreme	CSB Xtreme
Motor type	three-phase induction	three-phase induction
Gear unit type	in oil bath	in oil bath
MCBF (Mean Cycles Between Failure)	5,000,000 Op	2,000,000 Op
Motor power supply	230 V	230 V
Slowdown	in opening and closing	in opening and closing
Impact reaction	encoder	encoder
Lock	mechanical	mechanical
Release	inside the structure	inside the structure
Ambient conditions	-30°C +60°C	-30°C +60°C
Protection rating	IP54	IP54



MAXIMA

Electromechanical barrier for very intensive use.

- Range of professional 230 Vac electromechanical barriers for intensive use, designed and developed to operate in a wide variety of operating conditions, such as large car parks, motorway toll-gates, industrial installations. Mechanical movement with connecting rod-crank mechanism ensuring smooth movement of the boom, while managing slowdown in opening and closing. The same mechanism can ensure high anti-vandal protection for the gearmotor.



rolling code



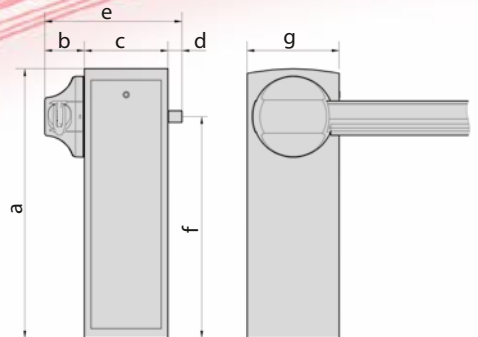
Oil Gear



Encoder



Block



FEATURES

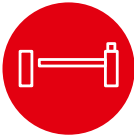
- Very intensive use
- Gearmotor in oil bath
- Anti-vandal connecting rod-crank mechanism

DIMENSIONS

MODEL	a	b	c	d	e	f	g
MAXIMA 30	1110	120	320	40	480	950	280
MAXIMA 60	1155	170	360	60	590	950	400
MAXIMA 80	1155	170	360	60	590	950	400

SPECIFICATIONS

	MAXIMA 30	MAXIMA 60	MAXIMA 80
Useful passage	1.7 m to 3 m	4 to 6.4 m	6.5 to 8 m
Control unit	CSB-BR	CSB-BR	CSB-BR
Power supply	Single-phase 230 V	Single-phase 230 V	Single-phase 230 V
Opening or closing	1.7 sec.	9 sec.	9 sec.
Frequency of use	10,000 Op/day	2,000 Op/day	2,000 Op/day
MCBF (Mean Cycles Between Failure)	5,000,000 Op	2,000,000 Op	2,000,000 Op
Slowdown	in opening and closing	in opening and closing	in opening and closing
Impact reaction	encoder	encoder	encoder
Lock	mechanical	mechanical	mechanical
Release	inside the structure	inside the structure	inside the structure
Ambient conditions	-30°C +60°C	-30°C +60°C	-30°C +60°C
Protection rating	IP54	IP54	IP54



MICHELANGELO

Automatic barrier for intensive use.

- Range of barriers for intensive use, able to manage useful passages of up to 8 m. The wide range of accessories, incorporated flashing light and the arrangement for installing photocells make them ideal in any context.
- Central control unit with U-Link, programming display and incorporated two-channel radio receiver fitted in the top of the unit for easier access.
- Limit switch system with electronic adjustment that speeds up installation and ensures maximum precision of movement.
- Backup battery power supply system, installable on-board unit.
- IP54 protection rating



U-Link



rolling code



er ready



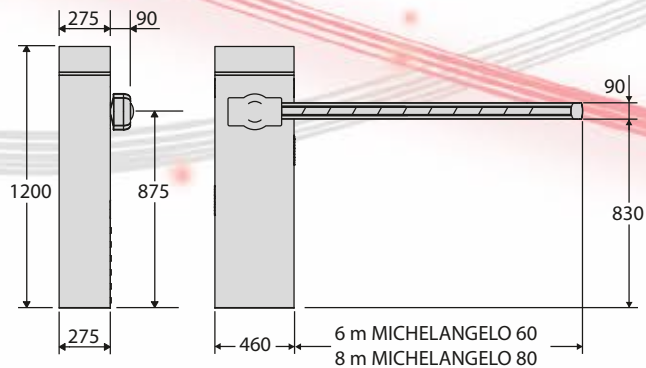
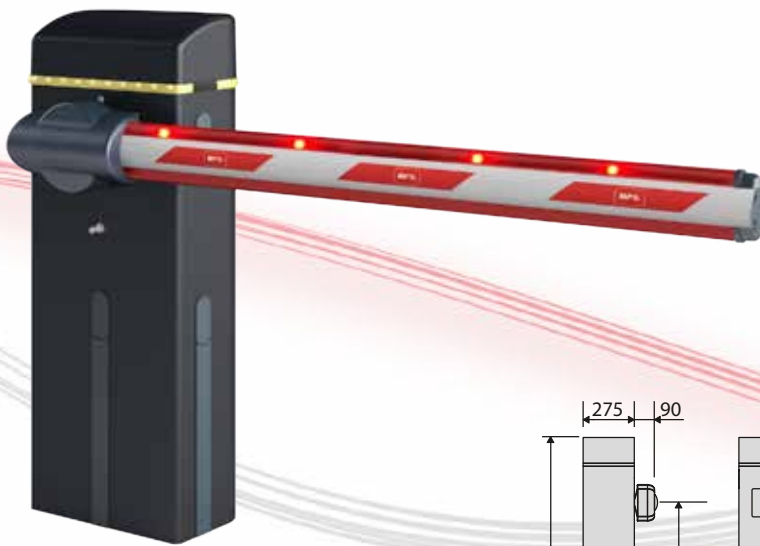
ee link



24 V



Block



FEATURES

- Control unit with U-Link and programming display
- IP54 protection
- Management of opposed bars

SPECIFICATIONS

	MICHELANGELO BT A 60 U	MICHELANGELO BT A 80 U
Useful passage	6 m	8 m
Control unit	MERAK BM	MERAK BM
Power supply	24V	24V
Opening or closing	6 sec.	8 sec.
Type of limit switch	electronic	electronic
Slowdown	adjustable	adjustable
Lock	mechanical	mechanical
Release	key	key
Frequency of use	intensive	intensive
Ambient conditions	from -20 (-40 with thermo activation) °C to 50°C	
Protection rating	IP54	IP54



GIOTTO

Electromechanical barrier for intensive use.

- Range of barriers for intensive use, able to manage useful passages up to 6 m. Equipped with 24Vdc motors, they have a wide range of accessories making them ideal in any context.
- Scenario programming: the MERAK BG control units enable extremely rapid and precise installations thanks to the scenario programming of the installation. In fact, with just a few choices made on the display it is possible to program the control unit completely, saving time and ensuring the best results.
- Control unit in upper position: the control unit located at the top of the barrier and protected by a solid aluminium housing enables connection, programming and maintenance operations to be performed with maximum ease and convenience.



U-Link



rolling code



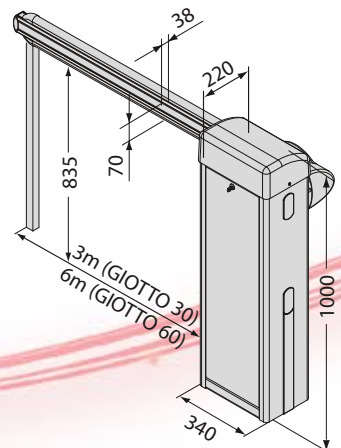
er ready



ee link



24 V



FEATURES

- Encoder technology
- Electronic limit switches
- Control unit with U-Link and programming display

SPECIFICATIONS

	GIOTTO BT A 30 U	GIOTTO BT A 30S U	GIOTTO BT A 60 U	GIOTTO BT A 60S U
Useful passage	3 metres	3 metres	6 metres	6 metres
Control unit	MERAK BG	MERAK BG	MERAK BG	MERAK BG
Motor power supply	24V	24V	24V	24V
opening or closing	4 seconds	2.5 seconds	5 seconds	4 seconds
Type of limit switch	elec.opening/closing	elec.opening/closing	elec.opening/closing	elec.opening/closing
Slowdown	adjustable	adjustable	adjustable	adjustable
Impact reaction	encoder	encoder	encoder	encoder
Lock	mechanical	mechanical	mechanical	mechanical
Release	personal key	personal key	personal key	personal key
Frequency of use	intensive	intensive	intensive	intensive
Ambient conditions	from -10 (-40 with thermo activation) °C to 50 °C	from -10 (-40 with thermo activation) °C to 50 °C	from -10 (-40 with thermo activation) °C to 50 °C	from -10 (-40 with thermo activation) °C to 50 °C
Protection rating	IP54	IP54	IP54	IP54



MOOVI

Electromechanical barrier for intensive use.

- Range of barriers for intensive use, able to manage useful passages up to 6 m. The wide range of accessories available makes them ideal in any context
- Also available in Moovi 30S rapid version with opening speed of 1.5s (plus slowdown) and intensive use.
- Control unit with programming display and incorporated two-channel radio receiver (models Moovi 30/60RMM/30S)



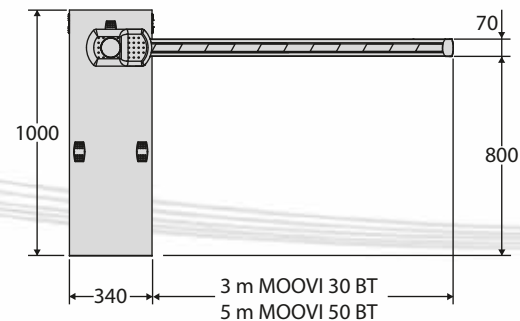
rolling code



er ready



ee link



FEATURES

- Control unit with display and incorporated receiver
- Impact reaction via encoder

SPECIFICATIONS

	MOOVI 30S	MOOVI 30	MOOVI 30 RMM	MOOVI 60	MOOVI 60 RMM
Useful passage	3 metres	3 metres	3 metres	6 metres	6 metres
Control unit	Leo MV D	Alpha Bom	Leo MV D	Alpha Bom	Leo MV D
Motor power supply	230V	230V	230V	230V	230V
opening or closing	1.5sec + slowdown	4 seconds	4 seconds	8 seconds	8 seconds
Type of limit switch	Type of electric limit switches incorp. and adjustable				
Slowdown	adjustable	adjustable	adjustable	adjustable	adjustable
Impact reaction	encoder	encoder	encoder	encoder	encoder
Lock	mechanical	mechanical	mechanical	mechanical	mechanical
Release	personal key				
Frequency of use	intensive	semi-intensive	semi-intensive	semi-intensive	semi-intensive
Ambient conditions	-10°C to +55°C*	-10°C to +55°C*	-10°C to +55°C*	-10°C to +55°C*	-10°C to +55°C*
Protection rating	IP24	IP24	IP24	IP24	IP24



TWIN

24V chain barrier for access points up to 16 m

"TWIN" 24 Vdc automatic chain barrier for intensive use, suitable for delimiting accesses to residential and industrial areas and small private car parks with entry points up to 16 m.

The exclusive cap with traffic lights (in TWIN LIGHT version) and buzzer facilitates entry and exit.

Very durable, cataphoresis treated and painted steel structure, "TWIN" is an excellent and safe solution for protecting public and private areas, thanks to an "encoder" reverse motion system, and integrates perfectly with the urban environment.

- Available in versions with and without cap with traffic lights

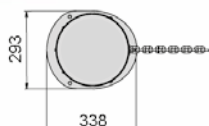
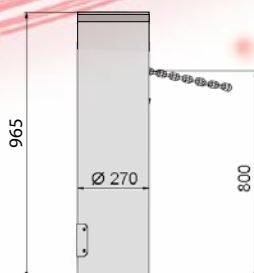


TWIN ON LIGHT



TWIN OFF LIGHT

CHAIN
up to 10 mt - (PRV - CHN 10)
up to 16 mt - (PRV - CHN 16)



DIMENSIONS

MODEL	H	H cat	Base	ø
TWIN ON LIGHT	1000	800	338	270
TWIN OFF LIGHT	1000	800	338	270
PRV - CHN 10				chain up to 10 m
PRV - CHN 16				chain up to 16 m

SPECIFICATIONS

	TWIN ON LIGHT	TWIN OFF LIGHT
Opening or closing	10 sec.	10 sec.
Access point width	up to 10 m (PRV-CHN 10) up to 16 m (PRV-CHN 16)	up to 10 m (PRV-CHN 10) up to 16 m (PRV-CHN 16)
Chain m	ø 8 (prv-chn 10) ø 4.5 (prv-chn 16)	ø 8 (prv-chn 10) ø 4.5 (prv-chn 16)
Control unit	on board Model LOG-BC with integrated receiver	-
Motor power supply	24V	-
Type of limit switch	electronic	-
Impact reaction	"ENCODER" reverse motion when closing	-
Freq. of use	intensive	-
Ambient conditions	-20°C + 60°C	-20°C + 60°C

Team up with us: be ahead!

Advanced solutions, with unique and exclusive features. But also simple, accessible, and close to people. Next-generation technologies designed to improve the lives of all: installers and those who use them.

This is us today: a company focused on the needs of the present, with an eye to the future. A professional and understanding company, able to take its partners by the arm and, thanks to a full access specialist approach, make them proceed at that dynamic pace allowing them to always be in the forefront. A company where the technical component is supported by the power of passion, and where engineering expertise is completed by the brilliance of lively inventiveness. Because we like to listen to you, understand you, address your needs and offer new opportunities; always giving you the best, with increasingly sophisticated tools designed to enhance performance. A fast and smart technology, always accelerating: to advance the pace of innovation and, together with you, always be a step ahead.



Bft Spa

Via Lago di Vico, 44 - 36015 Schio (VI) ITALY
T. +39 0445 696511 - F. +39 0445 69 65 22 - info@bft.it

www.bft-automation.com



Be ahead